



CMG 410 CF.



Simmer Plate.

- Cast iron simmer plate (400 x 500 mm) with removable disk.
- 5 kW burner.
- Thermocouple safety.
- Open bay.
- Supplied without shelves.

CMG 410 CF W 400 - D 650 - H 900

Warming cabinet option:
includes shelves and 1 oven rack.
Door with insulated inner door.
Power of the heating element: 1 kW.
Electric supply: 230 V single phase.

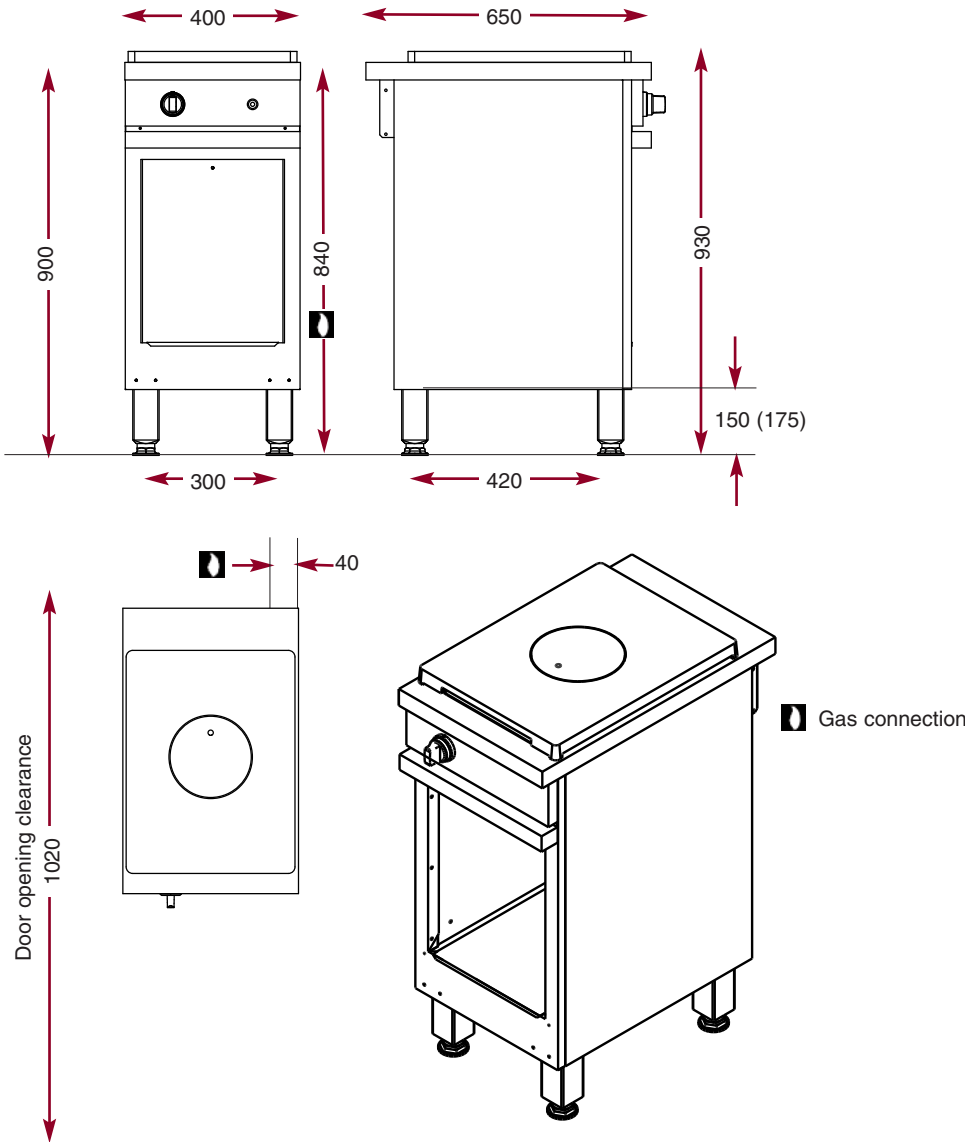
OAC 400

Door option.

CPM 400

Simmer Plate

CMG 410 CF



The Chef's Choice.